



**Soft seal Ball valve**  
**Trunnion ball**  
**Flange**  
**PN16-40**  
**DN150-300**

### Range of application:

For food & drug industry and clean energy  
 In chemical industry and related manufacturing industries

### Temperature range:

Max. working temperature :  
 -29°C to +200°C (carbon steel)  
 -50°C to +200°C (stainless steel)

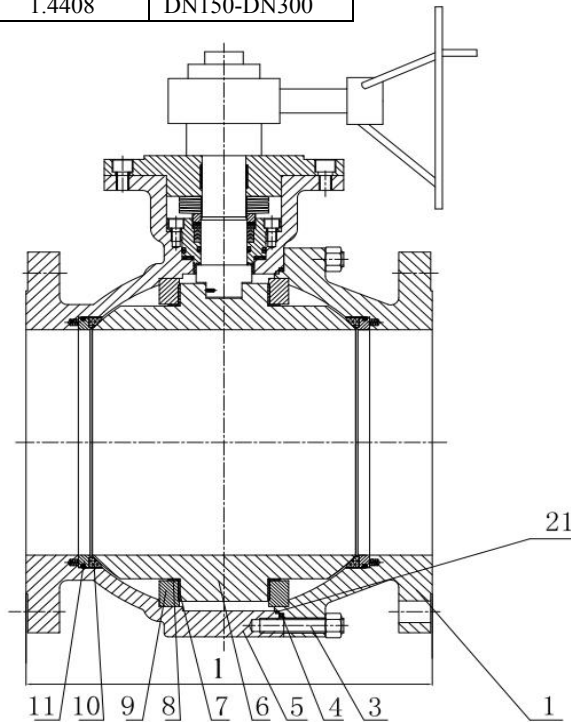
### Perform standard:

Design: split body with full bore round port , trunnion ball.  
 acc. AD 2000 A4/ ATEX 2014/34/EU /DIN 3357 .  
 Design minimum wall thickness calculation acc. : EN12516-1 .  
 Face to face : DIN 558-1.  
 Flange ends : DIN EN1092-1.  
 Operating: with a two flat stem acc to the NAMUR  
 -recommends.  
 90° -rotary switch  
 Actuator mounting: mounting flange acc. to DIN ISO 5211  
 for gear box , air- , electric-or hydraulic pattern actuator .  
 Fire test : API 607 & BS 6755 .  
 Antistatic device acc.: BS 5351 .  
 Preloaded belleville spring design for stem sealing system,  
 offers the possibility of adjustment of the sealing.  
 Optional: Ball with relief bore on pressure side (requires  
 unidirectional installation).

### Material [ according DIN EN (DIN) ]

Body: —1.4408  
 —1.0619N  
 Ball: —1.4401  
 —C22.8+ENP  
 Body Seal: PTFE+Graphite  
 Seat : PTFE / RPTFE /TFM1600 /  
 VX1

FIG.	Pressure	Material	RANGE
133.761	PN16	1.0619N	DN150-DN300
135.761	PN40	1.0619N	DN150-DN300
153.761	PN16	1.4408	DN150-DN300
155.761	PN40	1.4408	DN150-DN300



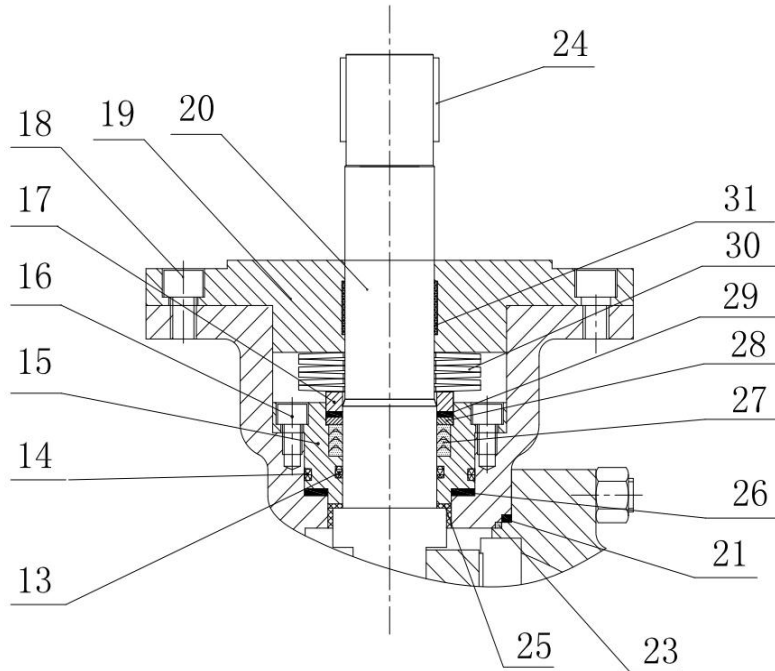
Ball valve with full bore and Flange .

**Material list**

NO.	Part	Material	
		FIG. 153.761 / 155.761	FIG. 133.761/ 135.761
1	Adapter	1.4408	1.0619N
3	Bolts	A4-70	1.7225
4	Body Seal	Graphite	Graphite
5	Body	1.4408	1.0619N
6	Ball	1.4401	C22.8+ENP
7	Thrust bearing	1.4401+PTFE+MoS2	1.4301+PTFE+MoS2
8	Gasket	PTFE	PTFE
9	Bracket	1.4408	C22.8
10	Seat	PTFE/RPTFE/TFM 1600/VX1	PTFE/RPTFE/TFM 1600/VX1
11	Support plate	1.4401	C22.8+ENP
21	Body Seal	PTFE	PTFE

**Stopfbuchs-Varianten**

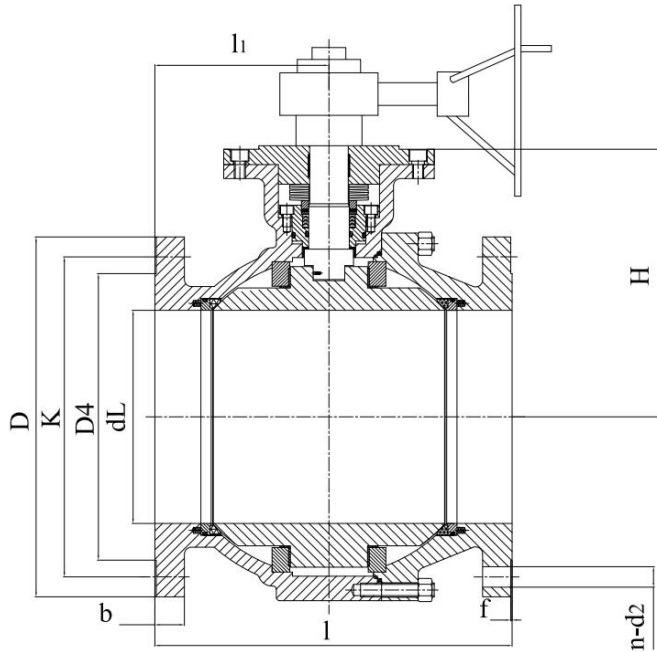
**VS V-PTFE +SPRING**  
(TA AIR)



**Material list**

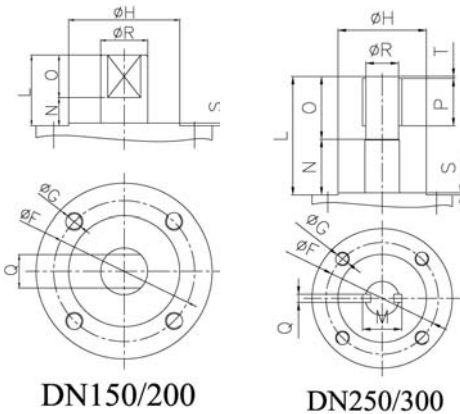
NO.	Part	Material	
		FIG. 153.761 / 155.761	FIG. 133.761 / 135.761
13	O - Ring	VITON	VITON
14	O - Ring	VITON	VITON
15	Packing-box	1.4408	C22.8+ENP
16	Bolts	A4-70	A2-70
17	Metal-ring	1.4401	1.4301
18	Bolts	A4-70	A2-70
19	Gland	1.4401	C22.8
20	Stem	17-4PH /1.4462/1.4571/ 1.4401	17-4PH /1.4462/1.4571/ 1.4401
21	Body seal	Graphite	Graphite
23	Body seal	PTFE	PTFE
24	Key	45	45
25	Gasket	PTFE	PTFE
26	Gasket	Graphite	Graphite
27	Packing	PTFE	PTFE
28	Metal gasket	1.4401	1.4301
29	Packing	Graphite	Graphite
30	Belleville spring	17-7PH	17-7PH
31	Thrust bearing	1.4401+PTFE+MoS2	1.4301+PTFE+MoS2

FIG.	Pressure	Material	RANGE
133.761	PN16	1.0619N	DN150-DN300
135.761	PN40	1.0619N	DN150-DN300
153.761	PN16	1.4408	DN150-DN300
155.761	PN40	1.4408	DN150-DN300



**Dimension List**

PN	DN	dL	L	L1	H	D	b	k	n-d2	D4×f	Weight
16	150	150	350	124	256	285	22	240	8-Φ22	Φ212×3	
	200	200	400	200	315	340	24	295	12-Φ22	Φ268×3	
	250	250	450	225	316	405	26	355	12-Φ26	Φ320×2	
	300	300	500	240	383	460	28	410	12-Φ26	Φ378×2	
40	150	150	350	124	256	300	28	250	8-Φ26	Φ218×3	
	200	200	400	200	315	375	34	320	12-Φ30	Φ285×3	
	250	250	450	225	316	450	38	385	12-Φ33	Φ345×2	
	300	300	500	240	383	515	42	450	16-Φ33	Φ410×2	



**Dimension List**

DN	ΦF	ΦG	ΦH	L	O	N	Q	ΦR	S	M	P	T
150	140	M16	100	61	39.8	21.2	20	36	3	-	-	-
200	125	M12	85	61	39.8	21.2	27	50	3	-	-	-
250	165	M20	130	172	90	82	12	50	3	58	70	3
300	254	M16	200	172	90	82	14	55	5	69	70	3

Edit: Feng Chunyan  
Suzhou Fleu valve Co.Ltd  
No.767 Huagang Road

Checking: Wang Huanyu  
Tel : 0086 512 63430669  
Fax : 0086 512 63409789

Approved: Shi Yongbin  
E-mail : szsales@fleu-valve.com  
http : //www.fleu-valve.com

Version: R3

**Connecting format**

Flanged		
Pressure rating	Flange dimension	Sealing form
PN16 PN40	DIN EN 1092-1	DIN EN 1092-1 Form B 1 <sup>1</sup> Ra max : 12.5 µm Rz max : 50 µm

**Installation instructions**

Installation site is not prescribed.  
Regardless of the flow direction.

Details please consult.

**Technical parameters**

**Flow characteristics - Kv ( m<sup>3</sup>/h )**

<b>DN</b>	<b>150</b>	<b>200</b>	<b>250</b>	<b>300</b>
<b>Kv</b>	3500	6500	10200	14700

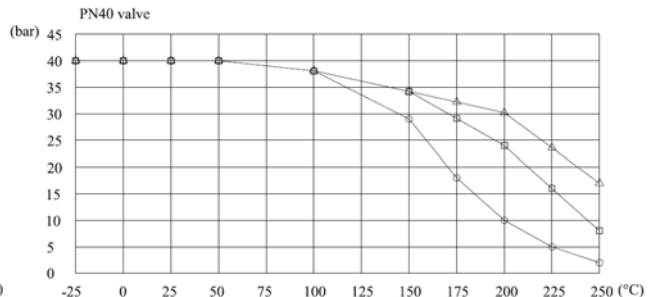
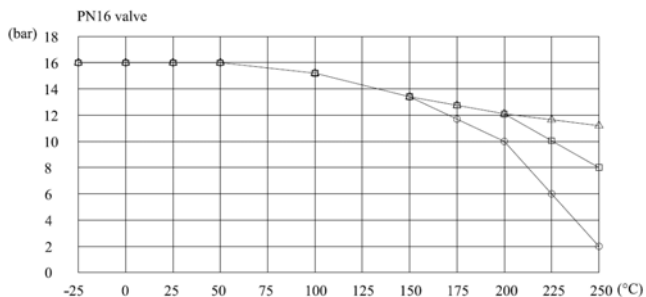
**Open torque - Nm**

$\Delta P$ (bar)	DN			
	150	200	250	300
0	126	180	321	500
10	233	320	653	989
16	297	450	852	1282
25	393	650	1151	1722
40	553	1010	1648	2455

**Maximum and minimum**

<b>DN</b>	<b>150</b>	<b>200</b>	<b>250</b>	<b>300</b>
<b>M<sub>d max</sub></b>	3500	4800	—	—
<b>M<sub>d min</sub></b>	63	90	160	250

**Allowable pressure in dependence of the temperature**



Seat material:

○—○—○ PTFE    □—□—□ PTFE+25%Glass    △—△—△ PTFE+15%Graphite

The shown values refer to austenitic stainless steel 1.4408. More details please consult.